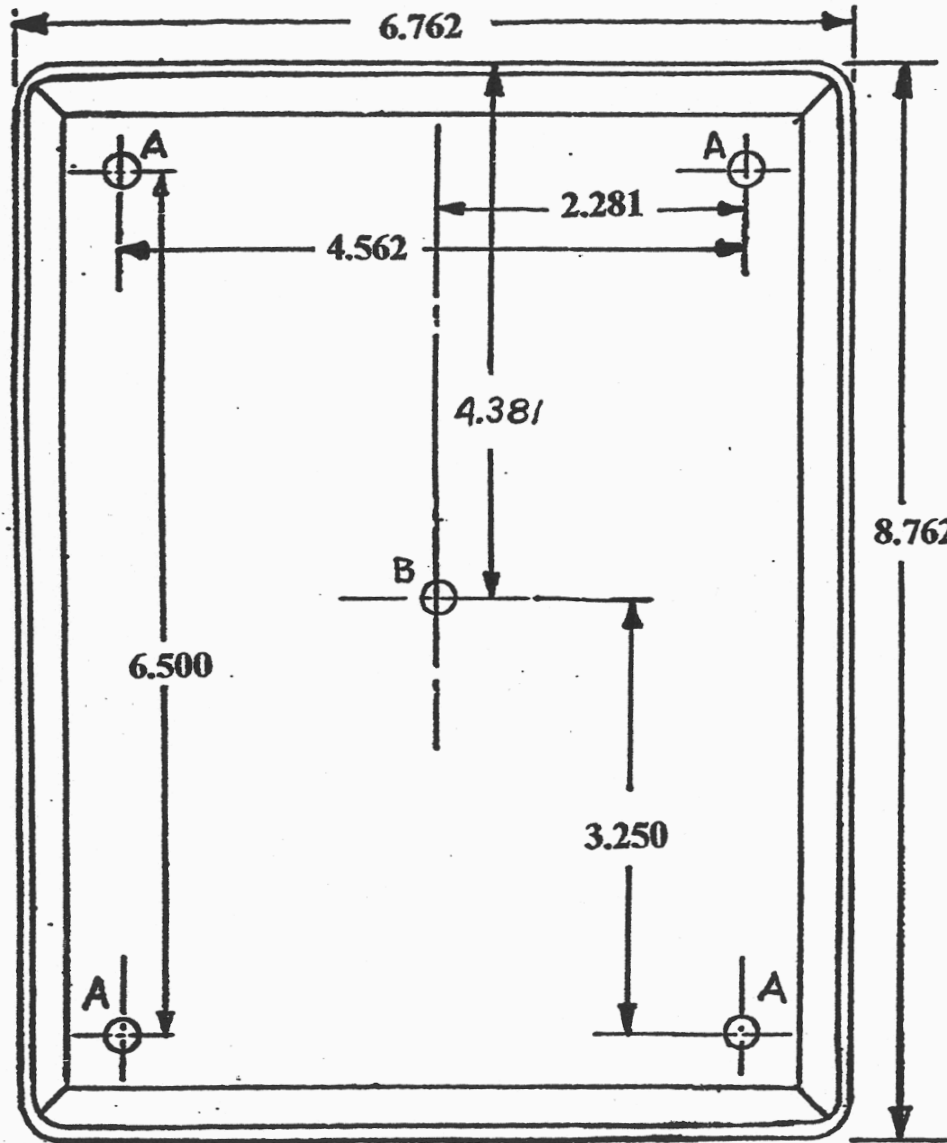
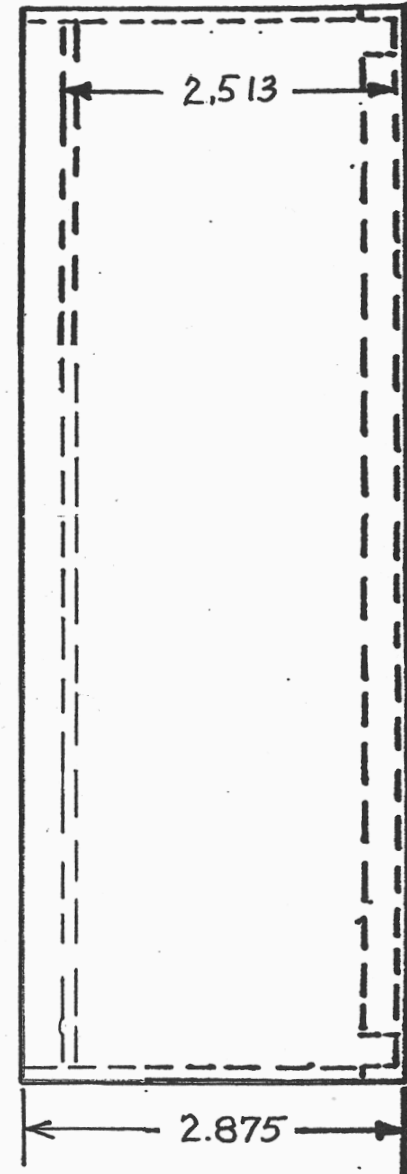


A 3/8" Hole - Must be mounted with Rubber Grommet, 1/4" Lag Screws and Stainless Steel Washer supplied by Ramtech

B Access Hole for phone coil



SIDE VIEW



8.762 X 6.762 X 2.875

MINI ENCLOSURE S.STEEL

RAMTEL CORP.
115 RAILROAD AVE
JOHNSTON, RI 02919