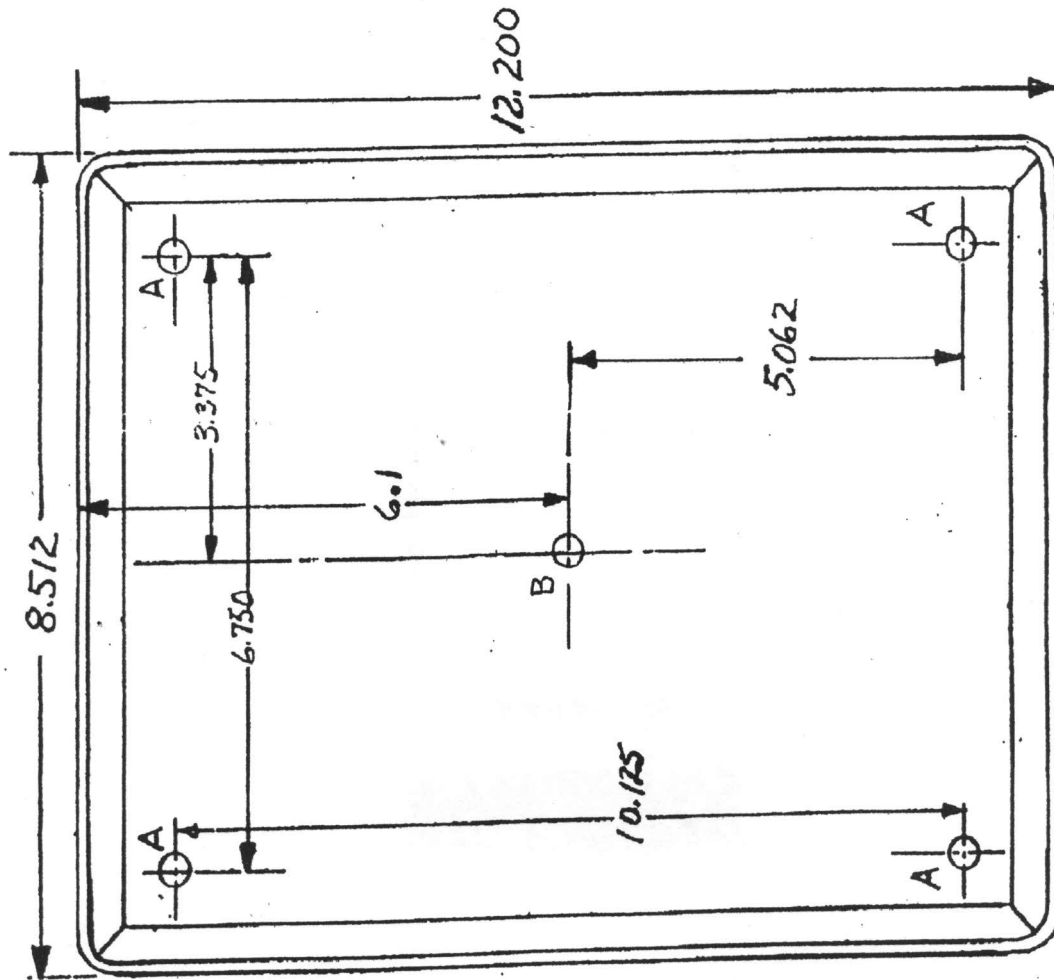
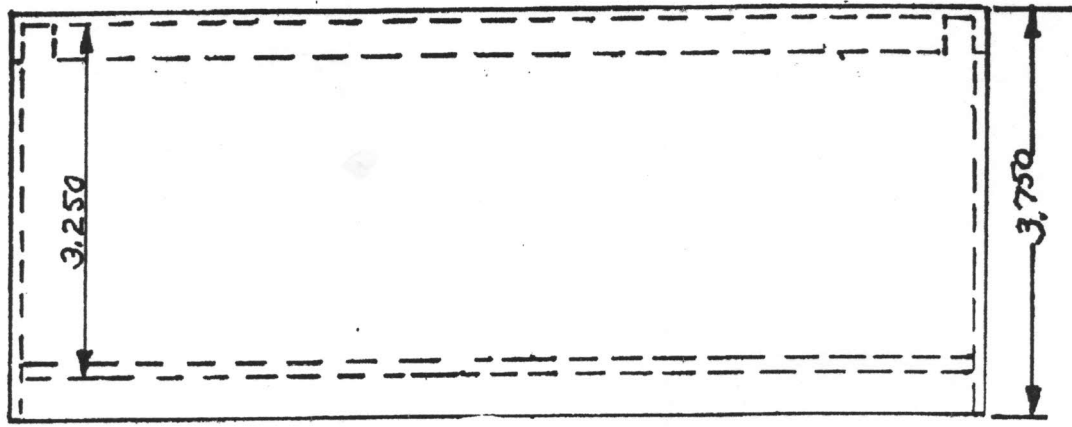


A 3/8" Hole - Must be mounted with Rubber Grommet, 1/4" Lag Screws and Stainless Steel Washer supplied by Ramtech

B Access Hole for phone coil



SIDE VIEW



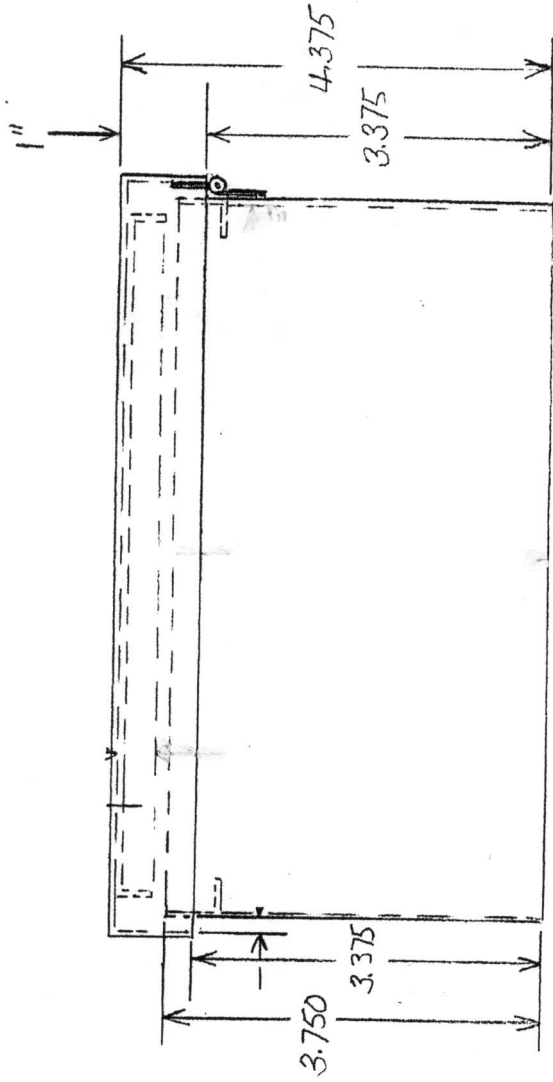
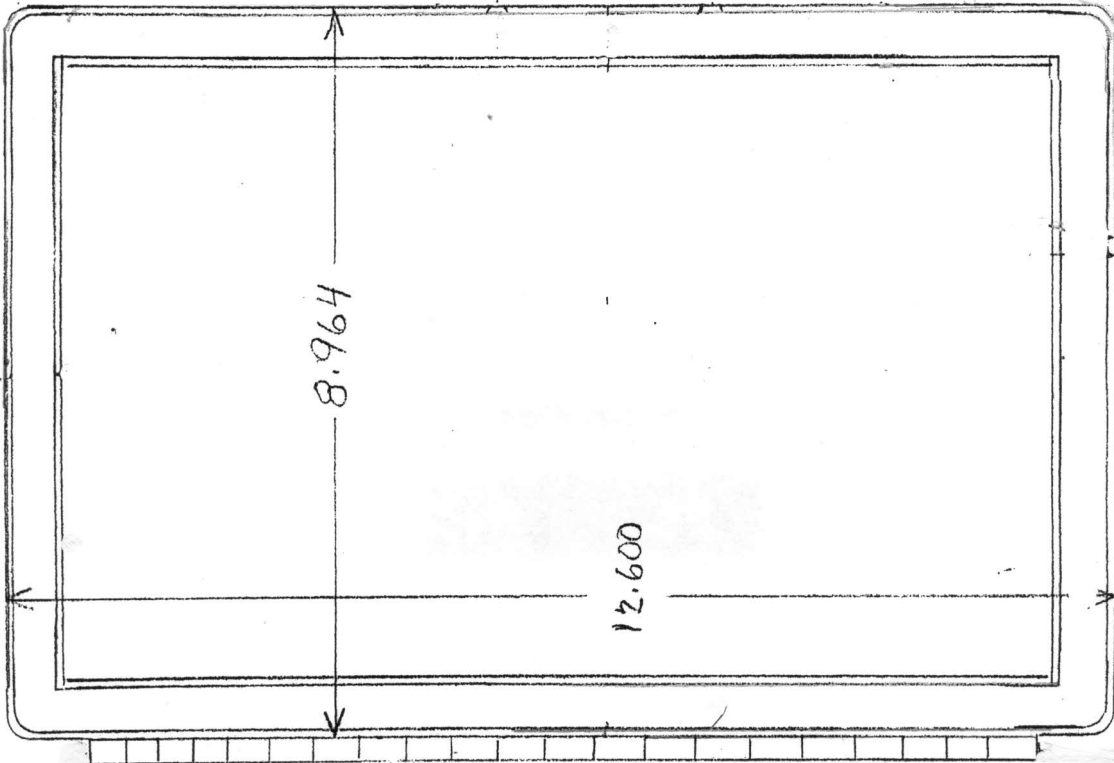
12.200 X 8.512 X 3.750

**RAMTEL CORP.**  
 115 RAILROAD AVE  
 JOHNSTON, RI 02919  
 Tel: 401 231 3340

926D METAL STAINLESS STEEL ENCLOSURE

P1

**RAMTEL CORP.**  
115 Railroad Ave.  
Johnston, R.I. 02919



926D METAL STAINLESS STEEL ENCLOSURE