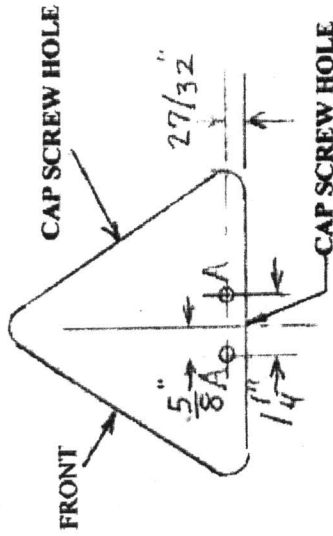


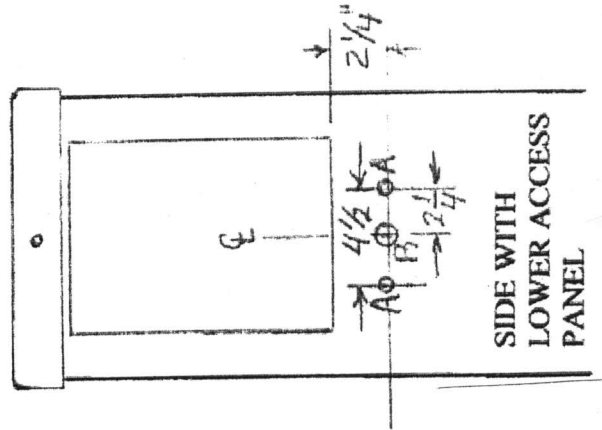
RAMTEL CORP.
 115 Railroad Ave.
 Johnston, RI 02919
 401-231-3340

To Assemble Camera Bracket

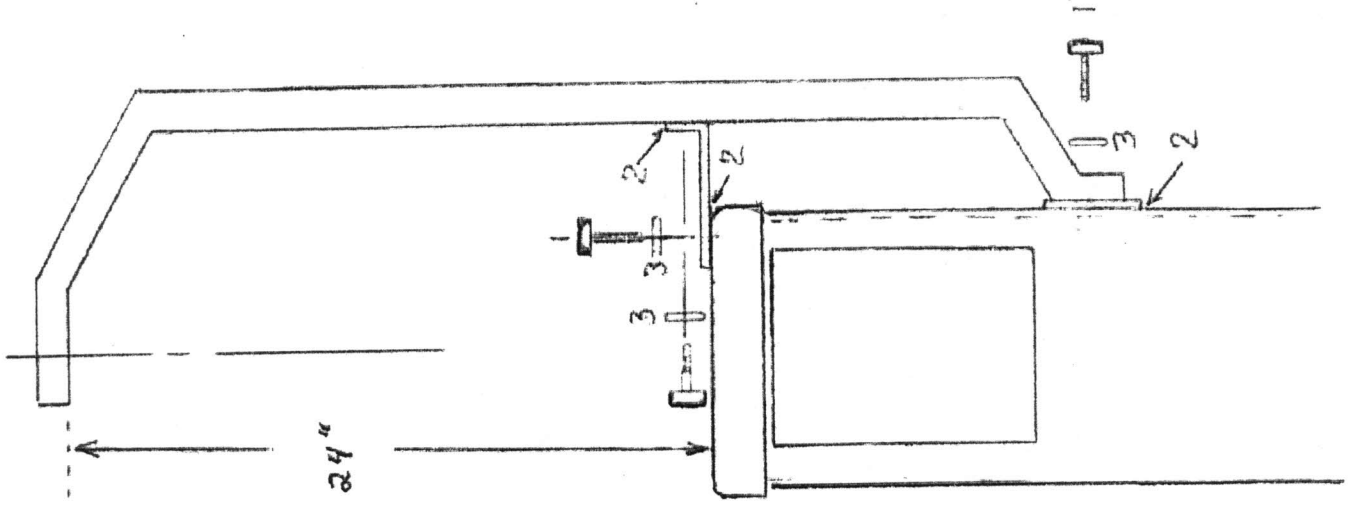
- 1) Camera Mount attaches below Strobe Light using 1/4-20 hex screws (2) and flat washers (2)
- 2) Secure Angle Bracket to top Cap and Camera Mount using 1/4-20 hex screws (4) & flat washers (4)
- 3) BE SURE TO INSTALL THE (3) RUBBER GASKETS PROVIDED



HOLES: A - 1/4" - 20" Tap (4)
 B - 1/2" Dia. (1)



- 1- 1/4" - 20 Hex Screws (6)
- 2- Rubber gaskets (3)
- 3- Washers (6)



PLC 7A CAMERA BRACKET ASSEMBLY
 800-1127